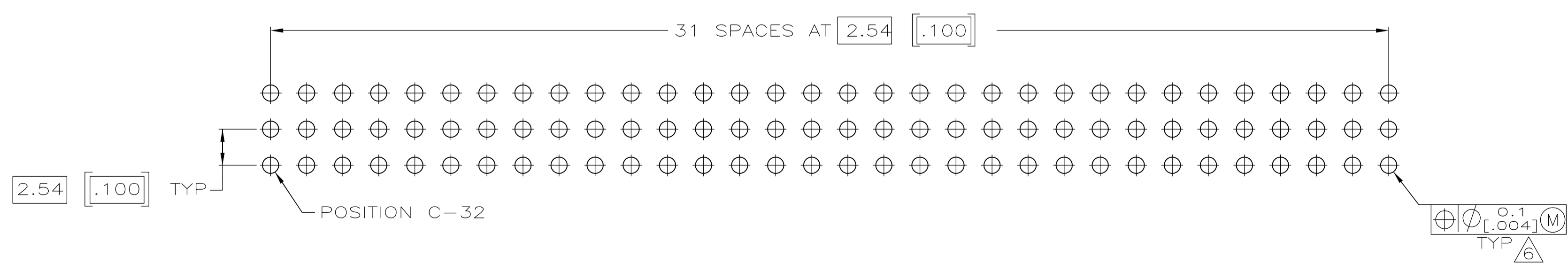
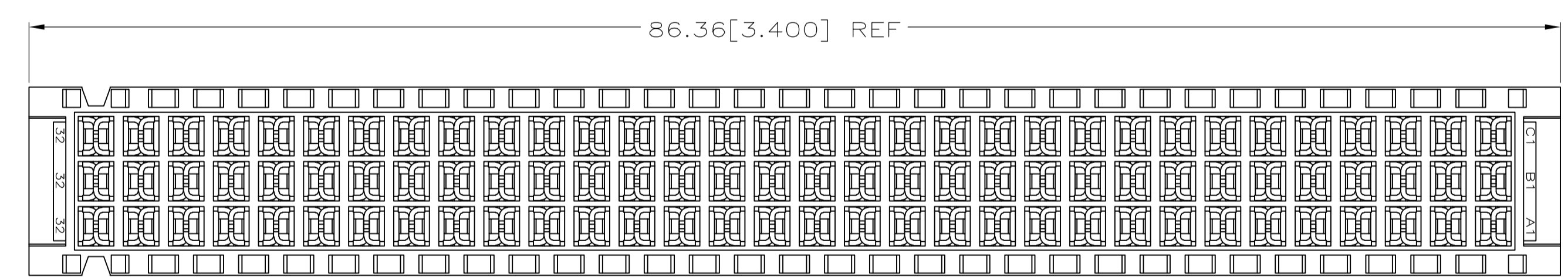
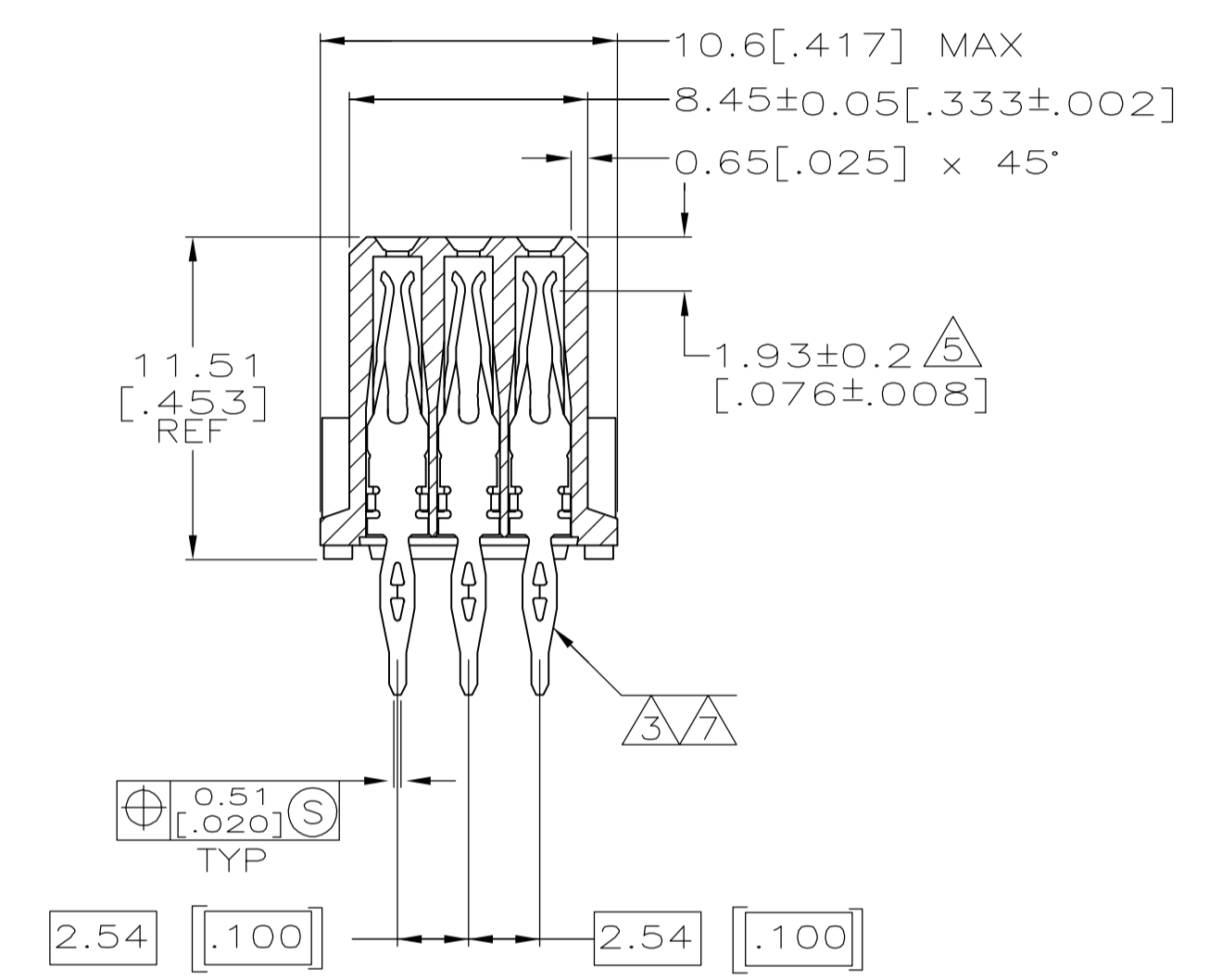
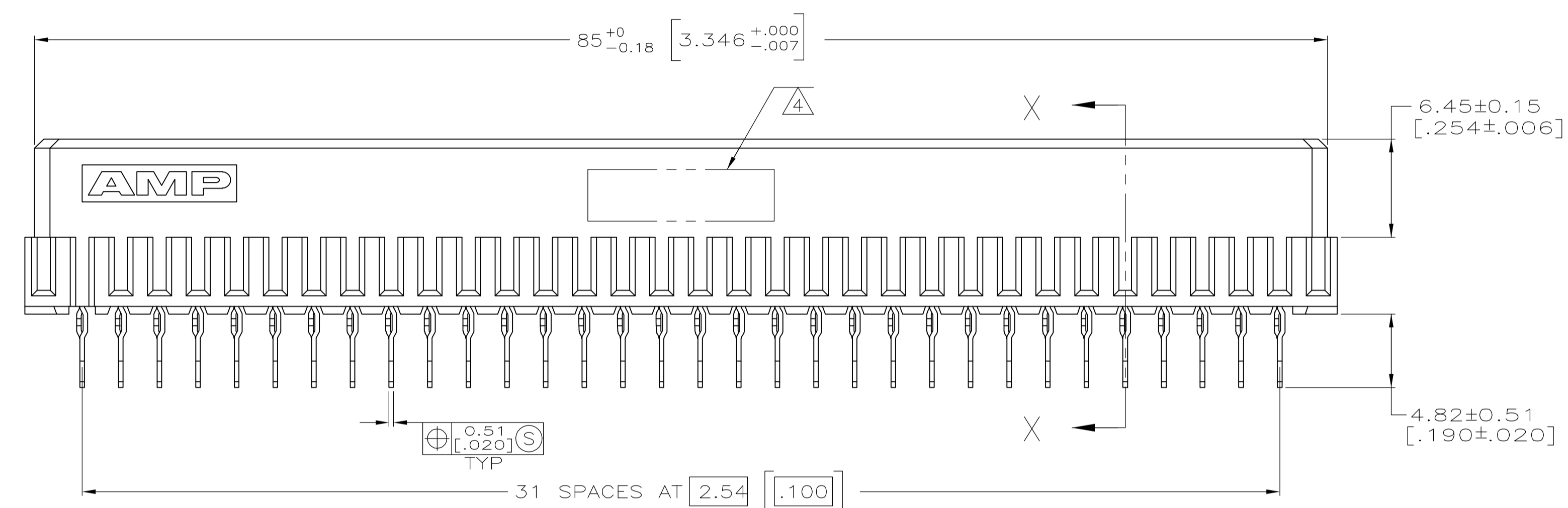
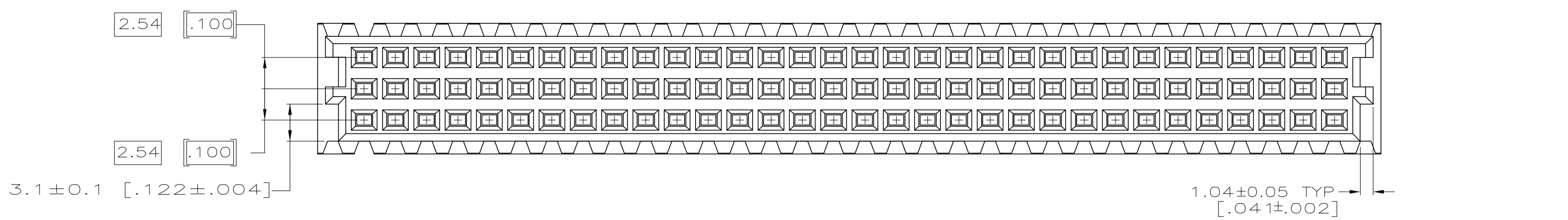


- ① HOUSING MATERIAL: GLASS-FILLED POLYESTER. COLOR: GRAY.
- ② CONTACT MATERIAL: PHOSPHOR BRONZE.
- ③ CONTACT FINISH: 0.00076[.000030] GOLD IN CONTACT AREA. 0.00127[.000050] NICKEL UNDERPLATE ALL OVER. TIN-LEAD ON POSTS.
- ④ PART NUMBER, DATE CODE IDENTIFICATION, CSA LOGO HOT-STAMPED IN THIS APPROXIMATE AREA.
- ⑤ POINT OF MEASUREMENT FOR GOLD.
- ⑥ ACTION PIN POSTS REQUIRE 1.57[.062] MIN THICK PC BOARD. RECOMMENDED PC BOARD HOLES ARE $\phi 1.151 \pm 0.02$ [.0453 \pm .001] DRILLED HOLE WITH 0.02-0.07[.001-.003] COPPER AND 0.008[.0003] MIN TIN-LEAD PLATING. FINISHED HOLE AFTER PLATING, $\phi 0.94-1.09$ [.037-.043].
- ⑦ CONTACT FINISH: DIN 41612 CLASS 2 IN CONTACT AREA. TIN-LEAD ON POSTS.



OBSOLETE	⑦ 1 THRU 32	X	X	X	96	535056-5
	③ 1 THRU 32	X	X	X	96	535056-4
	POSITIONS LOADED	C	B	A	NO. OF LOADED POSITIONS	ASSY PART NUMBER

THIS DRAWING IS A CONTROLLED DOCUMENT.		DWN	L. BRINER	3/30/89	Tyco Electronics Corporation Harrisburg, PA 17105-3608
DIMENSIONS: mm [INCHES]		CHK	R. PATTERSON	1/18/96	
TOLERANCES UNLESS OTHERWISE SPECIFIED:		APVD	R. PATTERSON	1/18/96	NAME
0 PLC	± -	PRODUCT SPEC		ASSEMBLY, RECEPTACLE EUROCARD, TOOLLESS PRESSFIT, 96 POSITION WITHOUT MOUNTING EARS	
1 PLC	± -	APPLICATION SPEC			
2 PLC	± -	SIZE	A1	CAGE CODE	DRAWING NO
3 PLC	± 0.13[.005]	WEIGHT	-	00779	535056
4 PLC	± -	CUSTOMER DRAWING		SCALE	4:1
ANGLES	± -	SHEET		1	OF 1
		REV			